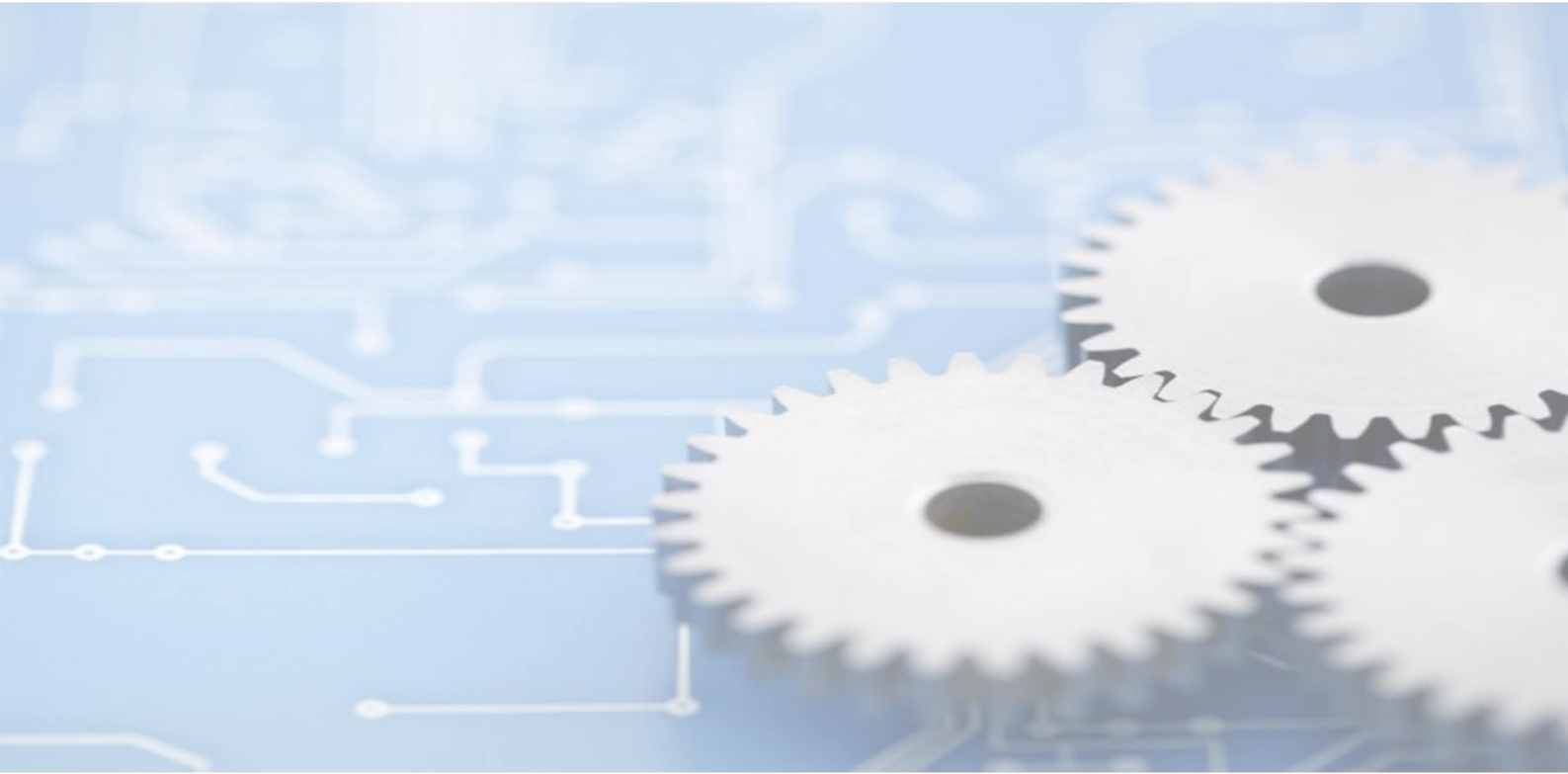
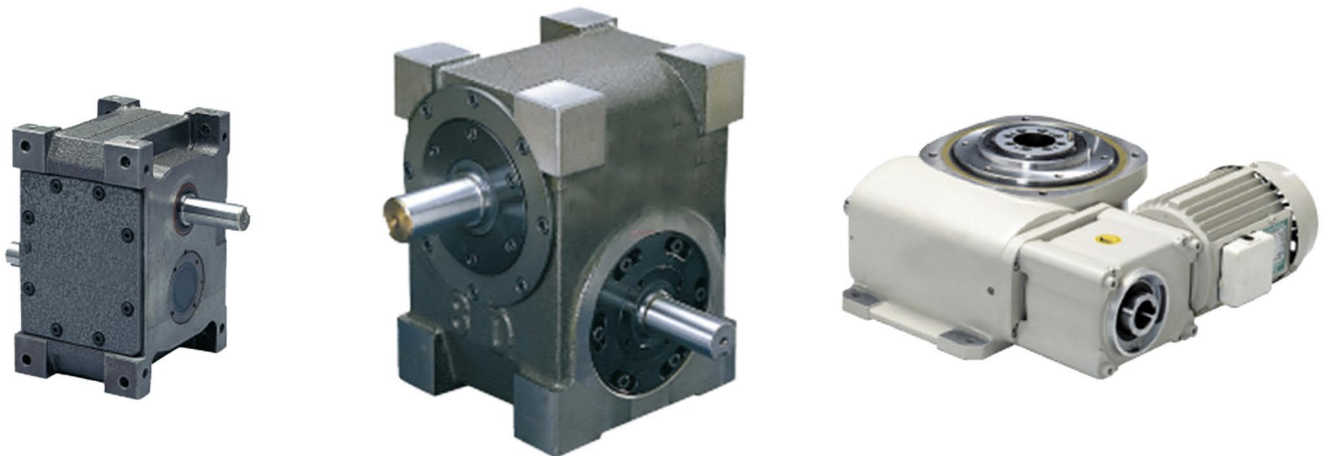


INDXIA

Quality. Precision. Reliable



HD SERIES INDEXING DRIVES PRODUCT CATALOGUE



Tel: 91712373
Email: sshauto@singnet.com.sg
Web: www.sshautomation.com.sg



HD045

INDXIA

HD045/HD045E/HD045R Dimensions

(Unit : mm)

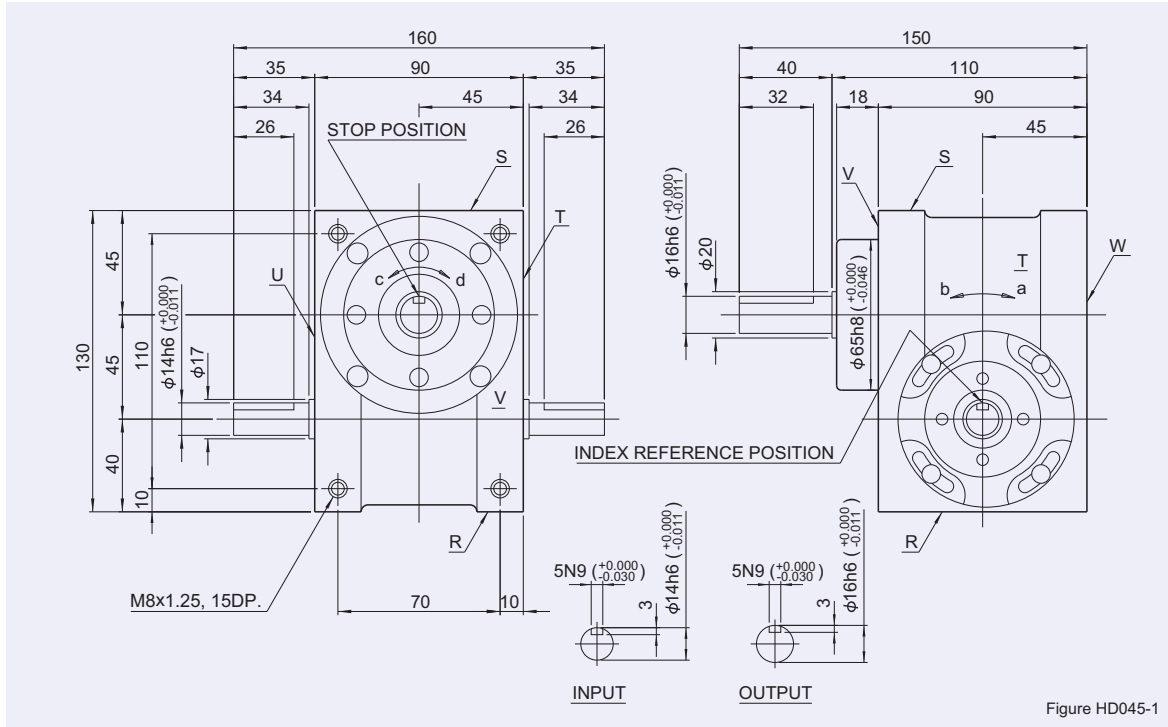
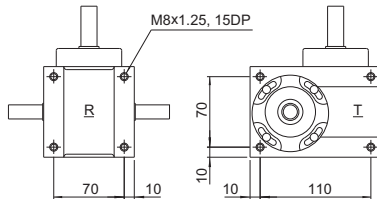


Figure HD045-1

Mounting hole locations

Figure HD045-2



Precautions

The HD045 is permanently grease lubricated. No service is necessary.

Dimension of R, S, T, and U surface

Specifications

Table HD045-1

Item	Symbol	Unit	Value	Item	Symbol	Unit	Value	Item	Symbol	Unit	Value
Output allowable axial load	P ₁	N	1275	Input allowable axial load	P ₄	N	833	Indexing accuracy (1 DWELL)		sec	±60
Output allowable radial load	P ₂	N	980	Input maximum repetitious bending force	P ₅	N	735	Indexing accuracy (2 DWELL)		sec	±120
Output static torque	T _s	N·m	Refer to Torque Capacity Table	Input maximum repetitious allowable torque	P ₆	N·m	39.2	Indexing accuracy (3 DWELL)		sec	±180
Output torsional rigidity	K ₁	N·m /rad	16.7×10 ³	Input torsional rigidity	K ₂	N·m /rad	2.74×10 ³	Indexing accuracy (4 DWELL)		sec	±240
Output inertia	J _o	kg·m ²	3.6×10 ⁻⁴	Input inertia	J ₁	kg·m ²	8.0×10 ⁻⁵	Repetitive accuracy		sec	30
Output allowable bending moment	P ₃	N·m	34.3					Product weight		kg	6

Note : Input inertia : J is calculated in dwell.

(1N=0.102kgf)



HD060

INDXIA

HD060/HD060E/HD060R Dimensions

(Unit : mm)

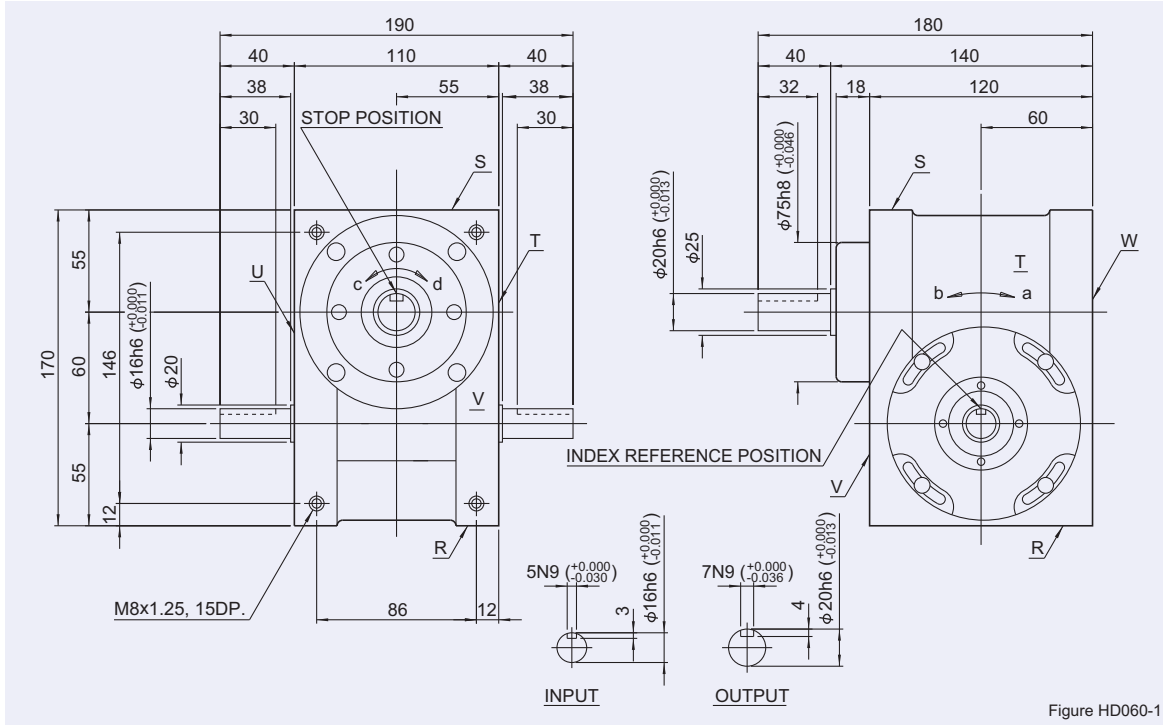
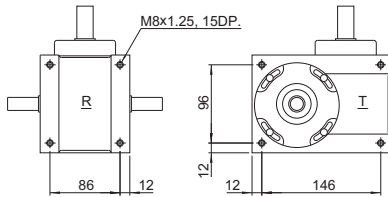


Figure HD060-1

Mounting hole locations

Figure HD060-2



Dimension of R, S, T, and U surface

Locations of oil plug, etc., and oil capacity

Figure HD060-3

Mounting position	1	2	3	4	5	6
Location						
Oil capacity (L)	0.5	0.37	0.35	0.35	0.3	0.3

Precautions

- Each point indicated in the mounting positions shown in Figure HD060-3 represents (starting at top) the oil plug (PT3/8), oil level (VA-01), and drain (PT1/4).
- The mounting positions correspond to code i for the indexing, oscillating, and roller drives.
- The oil levels indicated in Figure HD060-3 are given in general figures and will differ according to the profile of the cam and the number of cam followers.

Specifications

Table HD060-1

Item	Symbol	Unit	Value	Item	Symbol	Unit	Value	Item	Symbol	Unit	Value
Output allowable axial load	P ₁	N	1372	Input allowable axial load	P ₄	N	980	Indexing accuracy (1 DWELL)		sec	±45
Output allowable radial load	P ₂	N	1372	Input maximum repetitious bending force	P ₅	N	931	Indexing accuracy (2 DWELL)		sec	±90
Output static torque	T _s	N·m	Refer to Torque Capacity Table	Input maximum repetitious allowable torque	P ₆	N·m	58.8	Indexing accuracy (3 DWELL)		sec	±135
Output torsional rigidity	K ₁	N·m/rad	1.86×10 ⁴	Input torsional rigidity	K ₂	N·m/rad	4.12×10 ³	Indexing accuracy (4 DWELL)		sec	±180
Output inertia	J _o	kg·m ²	5.4×10 ⁻⁴	Input inertia	J ₁	kg·m ²	2.3×10 ⁻⁴	Repetitive accuracy		sec	20
Output allowable bending moment	P ₃	N·m	44.1					Product weight		kg	10

Note : Input inertia : J is calculated in dwell.

(1N=0.102kgf)



HD070

INDXIA

HD070/HD070E/HD070R Dimensions

(Unit : mm)

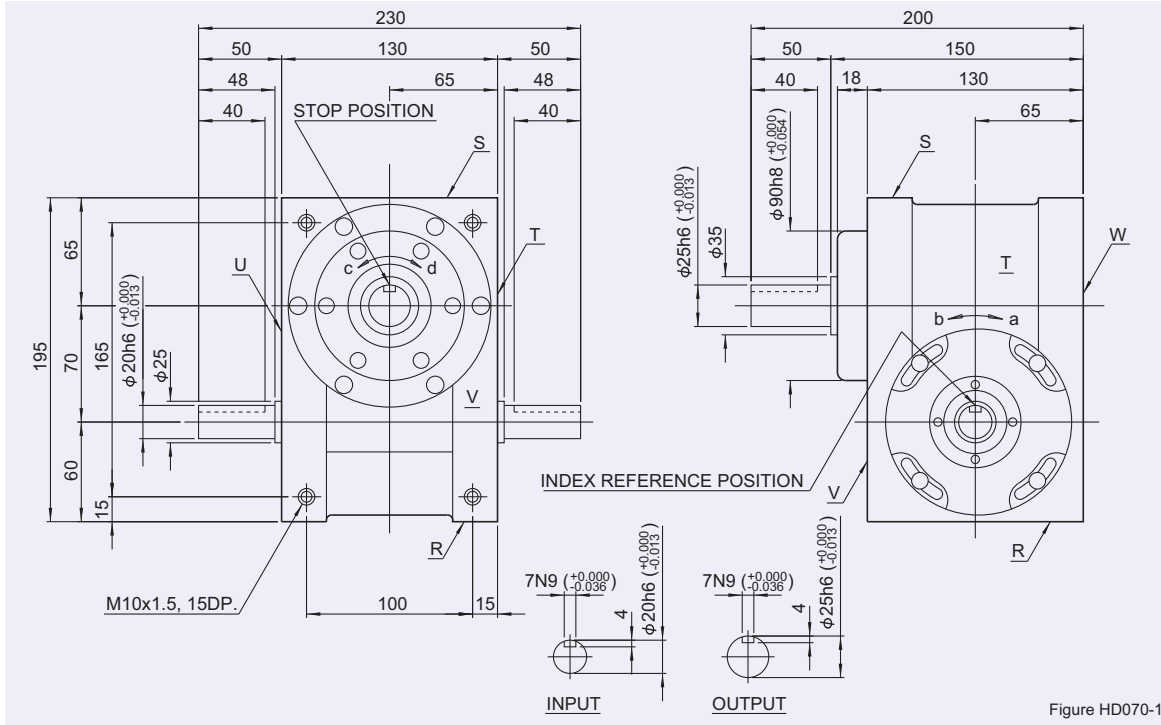
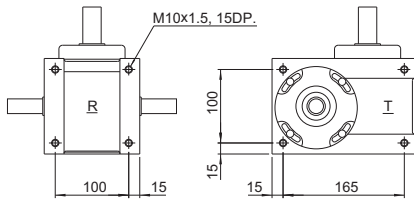


Figure HD070-1

Mounting hole locations

Figure HD070-2



Dimension of R, S, T, and U surface

Locations of oil plug, etc., and oil capacity

Figure HD070-3

Mounting position	1	2	3	4	5	6
Location						
Oil capacity (ℓ)	0.6	0.6	0.55	0.55	0.4	0.4

Precautions

- Each point indicated in the mounting positions shown in Figure HD070-3 represents (starting at top) the oil plug (PT3/8), oil level (VA-01), and drain (PT1/4).
- The mounting positions correspond to code i for the indexing, oscillating, and roller drives.
- The oil levels indicated in Figure HD070-3 are given in general figures and will differ according to the profile of the cam and the number of cam followers.

Specifications

Table HD070-1

Item	Symbol	Unit	Value	Item	Symbol	Unit	Value	Item	Symbol	Unit	Value
Output allowable axial load	P ₁	N	2156	Input allowable axial load	P ₄	N	1470	Indexing accuracy (1 DWELL)		sec	±30
Output allowable radial load	P ₂	N	2156	Input maximum repetitious bending force	P ₅	N	1078	Indexing accuracy (2 DWELL)		sec	±60
Output static torque	T _s	N·m	Refer to Torque Capacity Table	Input maximum repetitious allowable torque	P ₆	N·m	93.1	Indexing accuracy (3 DWELL)		sec	±90
Output torsional rigidity	K ₁	N·m/rad	3.23x10 ⁴	Input torsional rigidity	K ₂	N·m/rad	8.43x10 ³	Indexing accuracy (4 DWELL)		sec	±120
Output inertia	J _o	kg·m ²	1.72x10 ⁻³	Input inertia	J ₁	kg·m ²	1.5x10 ⁻³	Repetitive accuracy		sec	15
Output allowable bending moment	P ₃	N·m	69					Product weight		kg	16

Note : Input inertia : J is calculated in dwell.

(1N=0.102kgf)



HD080

INDXIA

HD080/HD080E/HD080R Dimensions

(Unit : mm)

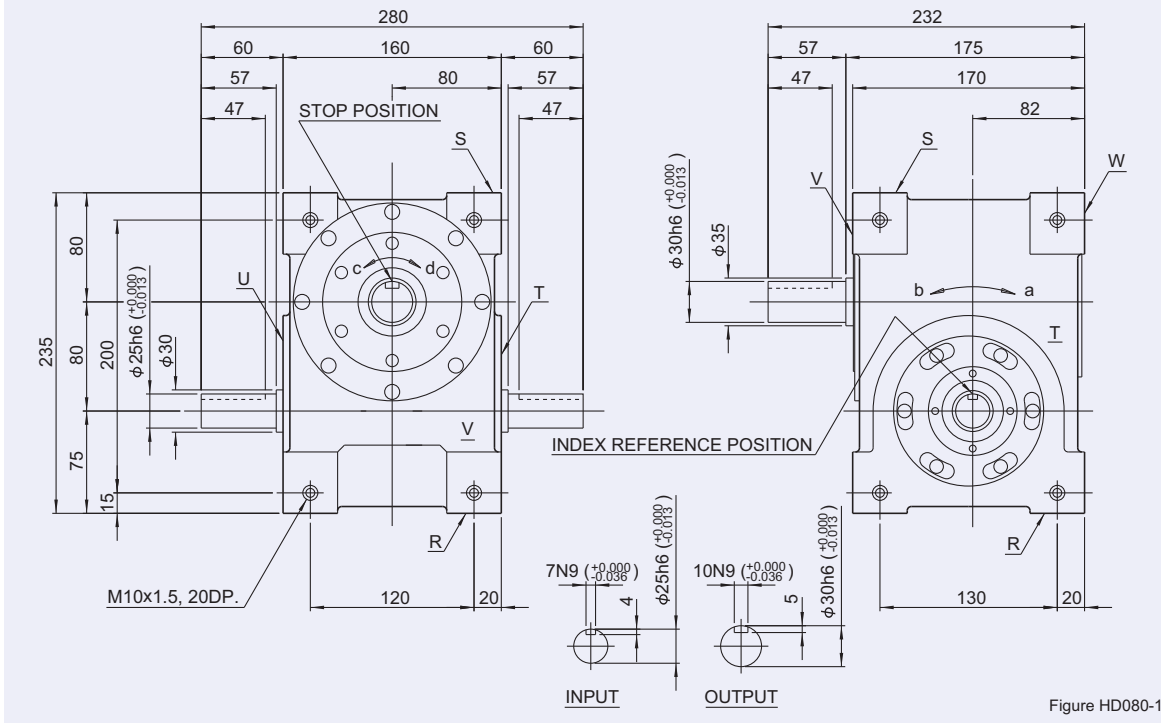
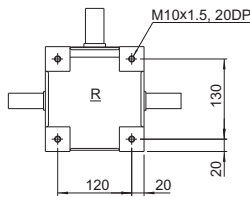


Figure HD080-1

Mounting hole locations

Figure HD080-2



Dimension of R and S surface

Locations of oil plug, etc., and oil capacity

Figure HD080-3

Mounting position	1	2	3	4	5	6
Location						
Oil capacity (L)	1.2	0.8	1.4	1.2	0.7	1.4

Precautions

- Each point indicated in the mounting positions shown in Figure HD080-3 represents (starting at top) the oil plug (PT1/2), oil level (VA), and drain (PT1/2).
- The mounting positions correspond to code i for the indexing, oscillating, and roller drives.
- The oil levels indicated in Figure HD080-3 are given in general figures and will differ according to the profile of the cam and the number of cam followers.

Specifications

Table 8D-1

Item	Symbol	Unit	Value	Item	Symbol	Unit	Value	Item	Symbol	Unit	Value
Output allowable axial load	P ₁	N	3038	Input allowable axial load	P ₄	N	2058	Indexing accuracy (1 DWELL)		sec	±30
Output allowable radial load	P ₂	N	2450	Input maximum repetitious bending force	P ₅	N	1862	Indexing accuracy (2 DWELL)		sec	±60
Output static torque	T _s	N·m	Refer to Torque Capacity Table	Input maximum repetitious allowable torque	P ₆	N·m	181.3	Indexing accuracy (3 DWELL)		sec	±90
Output torsional rigidity	K ₁	N·m /rad	9.8x10 ⁴	Input torsional rigidity	K ₂	N·m /rad	1.67x10 ⁴	Indexing accuracy (4 DWELL)		sec	±120
Output inertia	J _o	kg·m ²	4.6x10 ⁻³	Input inertia	J ₁	kg·m ²	2.25x10 ⁻³	Repetitive accuracy		sec	15
Output allowable bending moment	P ₃	N·m	88					Product weight		kg	29

Note : Input inertia : J is calculated in dwell.

(1N=0.102kgf)



HD110

INDXIA

HD110/HD110E/HD110R Dimensions

(Unit : mm)

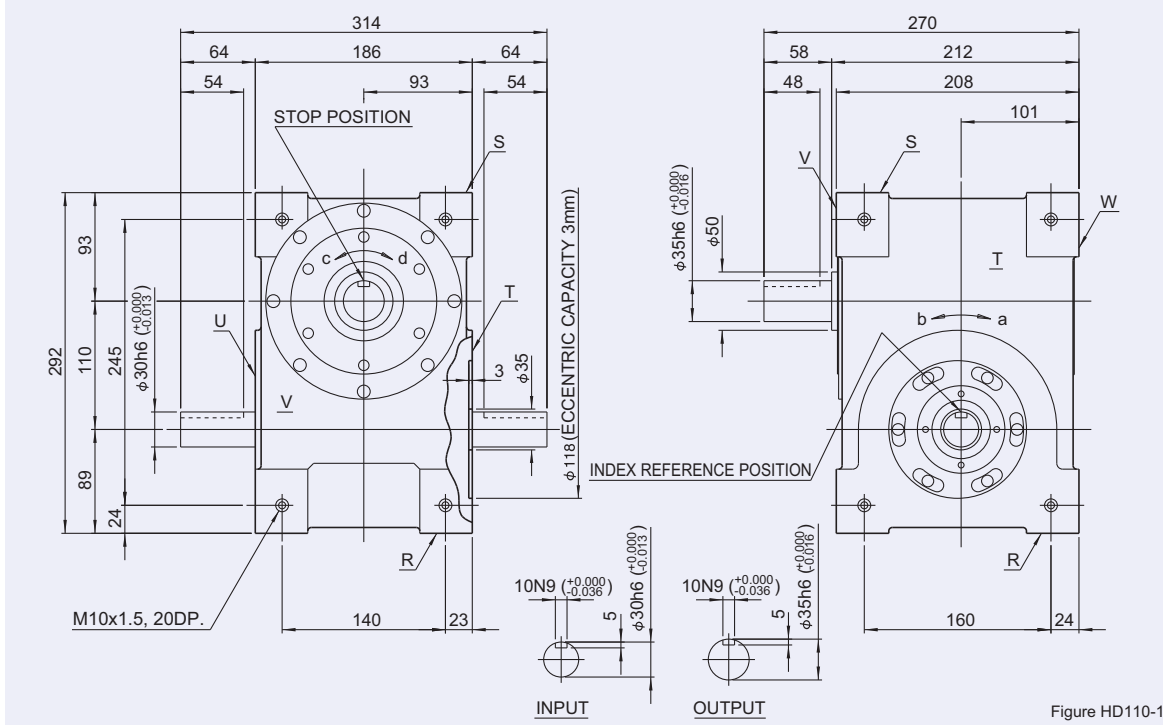
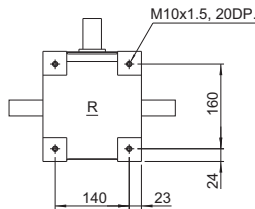


Figure HD110-1

Mounting hole locations

Figure HD110-2



Dimension of R and S surface

Locations of oil plug, etc., and oil capacity

Figure HD110-3

Mounting position	1	2	3	4	5	6
Location						
Oil capacity (L)	2.0	1.4	0.9	0.9	1.2	1.3

Precautions

- Each point indicated in the mounting positions shown in Figure HD110-3 represents (starting at top) the oil plug (PT1/2), oil level (VA), and drain (PT1/2).
- The mounting positions correspond to code i for the indexing, oscillating, and roller drives.
- The oil levels indicated in Figure HD110-3 are given in general figures and will differ according to the profile of the cam and the number of cam followers.

Specifications

Table HD110-1

Item	Symbol	Unit	Value	Item	Symbol	Unit	Value	Item	Symbol	Unit	Value
Output allowable axial load	P ₁	N	3920	Input allowable axial load	P ₄	N	3528	Indexing accuracy (1 DWELL)		sec	±30
Output allowable radial load	P ₂	N	4312	Input maximum repetitious bending force	P ₅	N	2842	Indexing accuracy (2 DWELL)		sec	±60
Output static torque	T _s	N·m	Refer to Torque Capacity Table	Input maximum repetitious allowable torque	P ₆	N·m	313.6	Indexing accuracy (3 DWELL)		sec	±90
Output torsional rigidity	K ₁	N·m /rad	19.6x10 ⁴	Input torsional rigidity	K ₂	N·m /rad	3.04x10 ⁴	Indexing accuracy (4 DWELL)		sec	±120
Output inertia	J _o	kg·m ²	226x10 ⁻⁴	Input inertia	J ₁	kg·m ²	7.0x10 ⁻³	Repetitive accuracy		sec	15
Output allowable bending moment	P ₃	N·m	137					Product weight		kg	51
								Housing color		Gray	

Note : Input inertia : J is calculated in dwell.

(1N=0.102kgf)



HD140

INDXIA

HD140/HD140E/HD140R Dimensions

(Unit : mm)

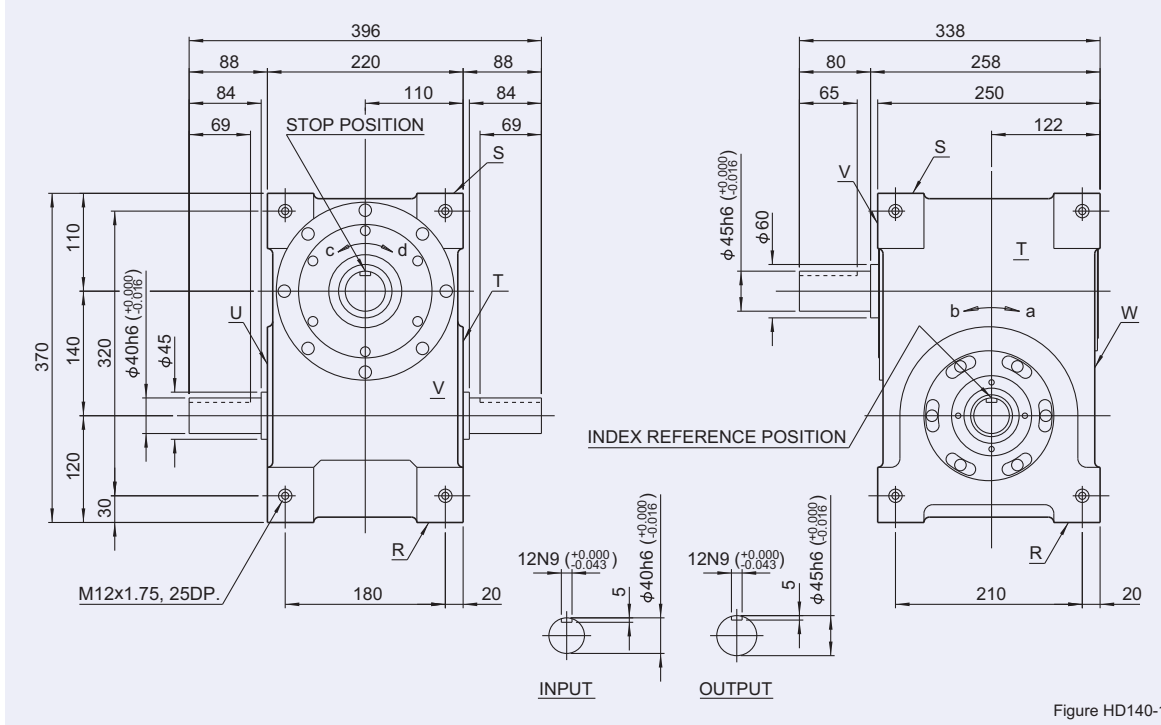
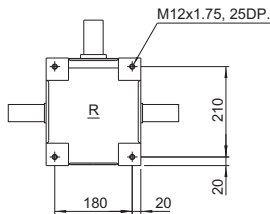


Figure HD140-1

Mounting hole locations

Figure HD140-2



Dimension of R and S surface

Locations of oil plug, etc., and oil capacity

Figure HD140-3

Mounting position	1	2	3	4	5	6
Location						
Oil capacity (L)	4.3	4.3	4.1	4.1	2.7	5.1

Precautions

- Each point indicated in the mounting positions shown in Figure HD140-3 represents (starting at top) the oil plug (PT1/2), oil level (VA), and drain (PT1/2).
- The mounting positions correspond to code i for the indexing, oscillating, and roller drives.
- The oil levels indicated in Figure HD140-3 are given in general figures and will differ according to the profile of the cam and the number of cam followers.

Specifications

Table HD140-1

Item	Symbol	Unit	Value	Item	Symbol	Unit	Value	Item	Symbol	Unit	Value
Output allowable axial load	P ₁	N	5880	Input allowable axial load	P ₄	N	4312	Indexing accuracy (1 DWELL)		sec	±30
Output allowable radial load	P ₂	N	6860	Input maximum repetitious bending force	P ₅	N	5488	Indexing accuracy (2 DWELL)		sec	±60
Output static torque	T _s	N·m	Refer to Torque Capacity Table	Input maximum repetitious allowable torque	P ₆	N·m	735	Indexing accuracy (3 DWELL)		sec	±90
Output torsional rigidity	K ₁	N·m /rad	3.92x10 ⁵	Input torsional rigidity	K ₂	N·m /rad	7.84x10 ⁴	Indexing accuracy (4 DWELL)		sec	±120
Output inertia	J _o	kg·m ²	4.90x10 ⁻²	Input inertia	J ₁	kg·m ²	2.75x10 ⁻²	Repetitive accuracy		sec	15
Output allowable bending moment	P ₃	N·m	255					Product weight		kg	120

Note : Input inertia : J is calculated in dwell.

(1N=0.102kgf)



HD170

INDXIA

HD170/HD170/HD170R Dimensions

(Unit : mm)

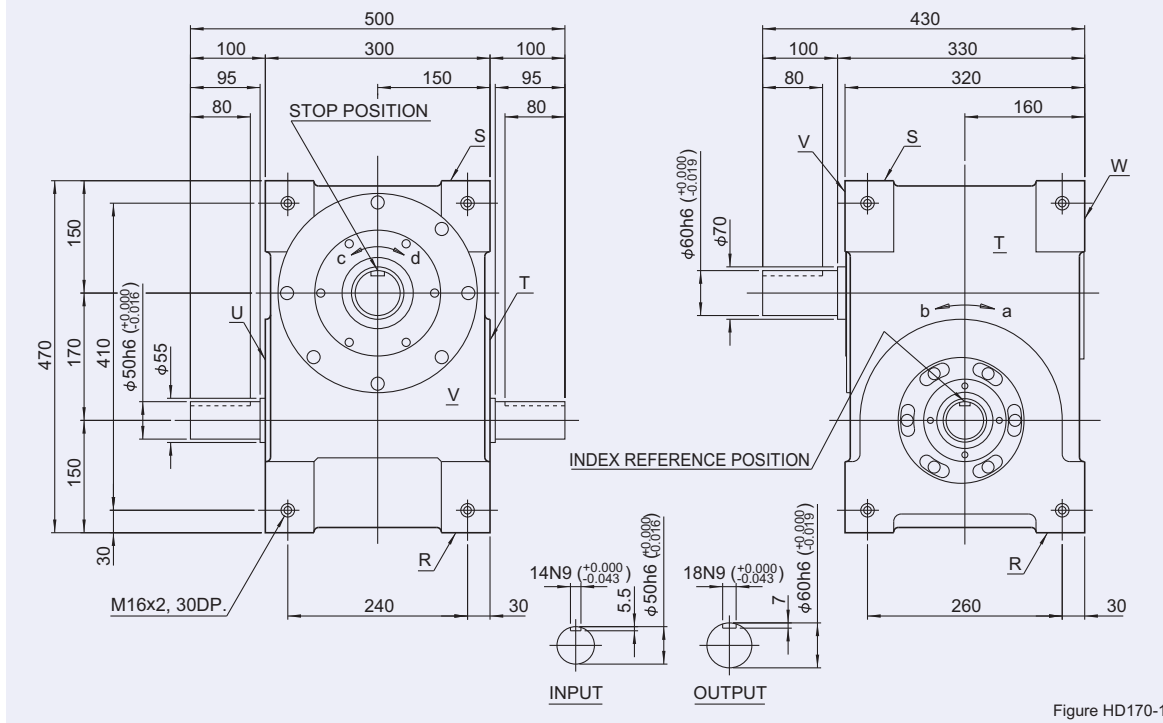
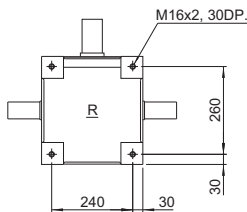


Figure HD170-1

Mounting hole locations

Figure HD170-2



Dimension of R and S surface

Locations of oil plug, etc., and oil capacity

Figure HD170-3

Mounting position	1	2	3	4	5	6
Location						
Oil capacity (L)	10	9	9	9	4	7

Precautions

- Each point indicated in the mounting positions shown in Figure HD170-3 represents (starting at top) the oil plug (PT3/4), oil level (VB), and drain (PT3/4).
- The mounting positions correspond to code i for the indexing, oscillating, and roller drives.
- The oil levels indicated in Figure HD170-3 are given in general figures and will differ according to the profile of the cam and the number of cam followers.

Specifications

Table HD170-1

Item	Symbol	Unit	Value	Item	Symbol	Unit	Value	Item	Symbol	Unit	Value
Output allowable axial load	P ₁	N	7448	Input allowable axial load	P ₄	N	5782	Indexing accuracy (1 DWELL)		sec	±30
Output allowable radial load	P ₂	N	8722	Input maximum repetitious bending force	P ₅	N	9800	Indexing accuracy (2 DWELL)		sec	±60
Output static torque	T _s	N·m	Refer to Torque Capacity Table	Input maximum repetitious allowable torque	P ₆	N·m	1421	Indexing accuracy (3 DWELL)		sec	±90
Output torsional rigidity	K ₁	N·m /rad	9.80x10 ⁵	Input torsional rigidity	K ₂	N·m /rad	1.37x10 ⁵	Indexing accuracy (4 DWELL)		sec	±120
Output inertia	J _o	kg·m ²	19x10 ⁻²	Input inertia	J ₁	kg·m ²	7.25x10 ⁻²	Repetitive accuracy		sec	15
Output allowable bending moment	P ₃	N·m	353					Product weight		kg	200

Note : Input inertia : J is calculated in dwell.

(1N=0.102kgf)